

M2HA



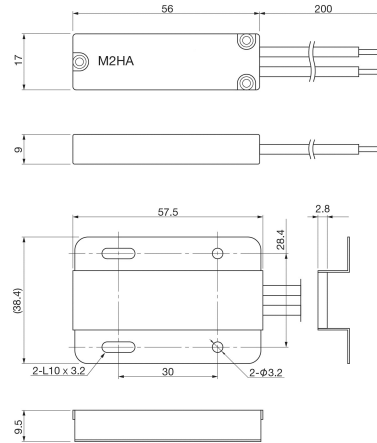
CANTHERM

Supplying high-quality bimetal and thermal sensor products.

HIGH TEMPERATURE BIMETAL THERMOSTATS



High temperature bimetal type thermostat M2HA (Available up to 380°C)



Specifications

- | | |
|--|---|
| 1. Model Name | M2HA |
| 2. Mechanical Structure | 56(L) x 17(W) x 9(T) mm, 200mm lead wire
Drwg. No. MA-21500-07 |
| 3. Characteristics | |
| (1) Ambient temperature range | -30°C to 430°C |
| (2) Operating temperature | Setting temperature (200 to 380°C) ± 15°C
Differential: 25 ± 7K (deg C) |
| (3) Contact | 1b (contact type X only) |
| (4) Contact Resistance | Less than 100 mΩ (3.5mV/100mA method) |
| (5) Insulation Resistance | Greater than 100 MΩ between lead and case at DC500V |
| (6) Insulation Voltage | AC2000V for 2 seconds between leads and case
AC500V for 1 min. between Contacts with 10mA leakage current |
| (7) Life | 1 million mechanical operations, more than 10,000 electrical operations at the rated load satisfying with (5) and (6) above |
| (8) Tolerance of the setting temperature | ±15K for setting temperature up to 380°C.
Setting temperature 400°C (+0/-30K) is available. |
| (9) Ratings of Voltage & Current | |

Voltage(AC/DC)	Operating ampere
AC125V/DC12V	1mA to 50mA
AC250V/DC24V	



CANTHERM

Supplying high-quality bimetal and thermal sensor products.

8415 Mountain Sights Avenue • Montreal (Quebec), H4P 2B8, Canada
Tel: (514) 739-3274 • 1-800-561-7207 • Fax: (514) 739-2902 • E-mail: sales@cantherm.com

Website: www.cantherm.com | Division of Microtherm

2015/Nov M2HA