



CANTHERM

Supplying high-quality bimetal and thermal sensor products.

THERMOSTATIC PROBES





THERMOSTATIC PROBES

WATER JACKET TYPE

Cantherm probe thermostats use bi-metallic thermal switches encased in a housing made of brass or stainless steel suitable for installation in a vessel having a NPT threaded sleeve. The thermostatic switches will either make or break an electrical circuit at a pre-determined temperature and depending upon the type used will act as a thermal protector or a temperature regulator. Contact Cantherm's technical sales staff to design a probe that fits your needs.

FEATURES:

- Available for temperature regulation or limiting duties
- Normally closed or normally open contacts
- Material: brass or stainless steel
- Contact rating up to 15A at 250VAC
- Temperature range: 5°C to 180°C
- Made with UL, CSA and VDE approved components
- Temperatures set at the factory.
- Custom housings available on special order
- Terminations: Flexible wires, screw terminals, 1/4" M Quick Connect

APPLICATIONS:

- Automotive
- Household Appliances
- HVAC
- Agricultural Equipment
- Heavy Equipment
- Hydraulics
- Recreational
- Process Control
- Refrigerators

TEMPERATURE REGULATION

Temperature Range: 5°C to 180°C

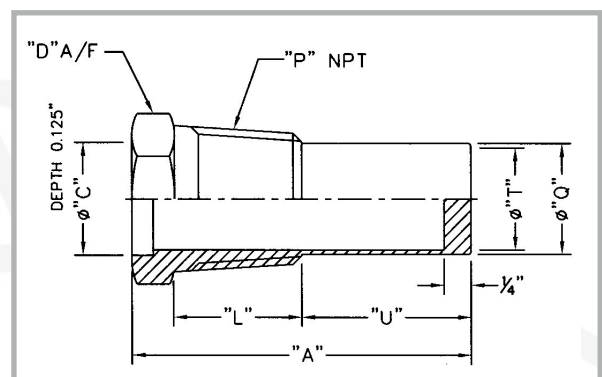
Tolerance: ±5°C

Differential: ~2°C below the set temperature

Product	Switch Style	Contact Rating	Cycle Life
CMRJ	Normally Closed	6.0A @ 120VAC	100,000
CSMRJ	Normally Closed	5.0A @ 12VDC	10,000
CMRJ (K)	Normally Open	6.0A @ 120VAC	100,000



Part No.	P NPT	D A/F	A	U	Ø Q	Ø C	Ø T	Ø L
R20	1/2"	0.875	2.0	1.0	0.69	0.665	0.625	0.748
B12	3/8"	0.875	1.5	0.70	0.44	0.618	0.389	0.551
J RM	1/4"	0.56	1.85	1.0	0.38	None	0.328	0.551



CANTHERM

TEMPERATURE LIMITING & PROTECTION

Temperature Range: 65°C to 170°C
 Tolerance: ±5°C
 Differential: 25°C±15°C

Product	Switch Style	Contact Rating Res./Ind.	Cycle Life
B12A	Normally Closed	6.3A /4.0 250VAC	10,000
B12B	Normally Open	5.0A/1.6 @ 120VAC	10,000



TERMINATIONS:

- W2 TWO WIRES
- W1 ONE WIRE, OTHER SIDE GROUNDED
- QC2 TWO .250M QUICK CONNECT
- QC1 ONE .250M QUICK CONNECT, OTHER SIDE GROUND
- ST2 TWO SCREW TERMINALS
- ST1 ONE SCREW TERMINAL, OTHER SIDE GROUNDED

HOW TO ORDER:

EXAMPLE:

MODEL TYPE	TEMPERATURE	HOUSING	TERMINATIONS
CMRJ	0°C TO 200°C	BPT46-04	W2

NOTE:

Not all terminations are available on every housing
 BPT38-06 and BPT50-08 are available with or without MYLAR sleeve.

HIGH CURRENT REGULATORS AND LIMIT SWITCHES

Temperature Range: 0°C to 175°C
 Tolerance: ±5°C
 Differential: 20°C±10°C

Product	Switch Style	Contact Rating Res./Ind.	Cycle Life
R20A	Normally Closed	16.0A /6.3 250VAC	10,000
	Normally Closed	10.0A @ 250VAC (50°C-160°C)	100,000
R20B	Normally Open	16.0A /6.3 250VAC	10,000
	Normally Open	10.A @250VAC (50C-160C)	100,000





8415 Mountain Sights Avenue • Montreal (Quebec), H4P 2B8, Canada
Tel: (514) 739-3274 • 1-800-561-7207 • **Fax:** (514) 739-2902 **E-mail:** sales@cantherm.com

Website: www.cantherm.com

2009/May
CT-M-ENG-01T-1